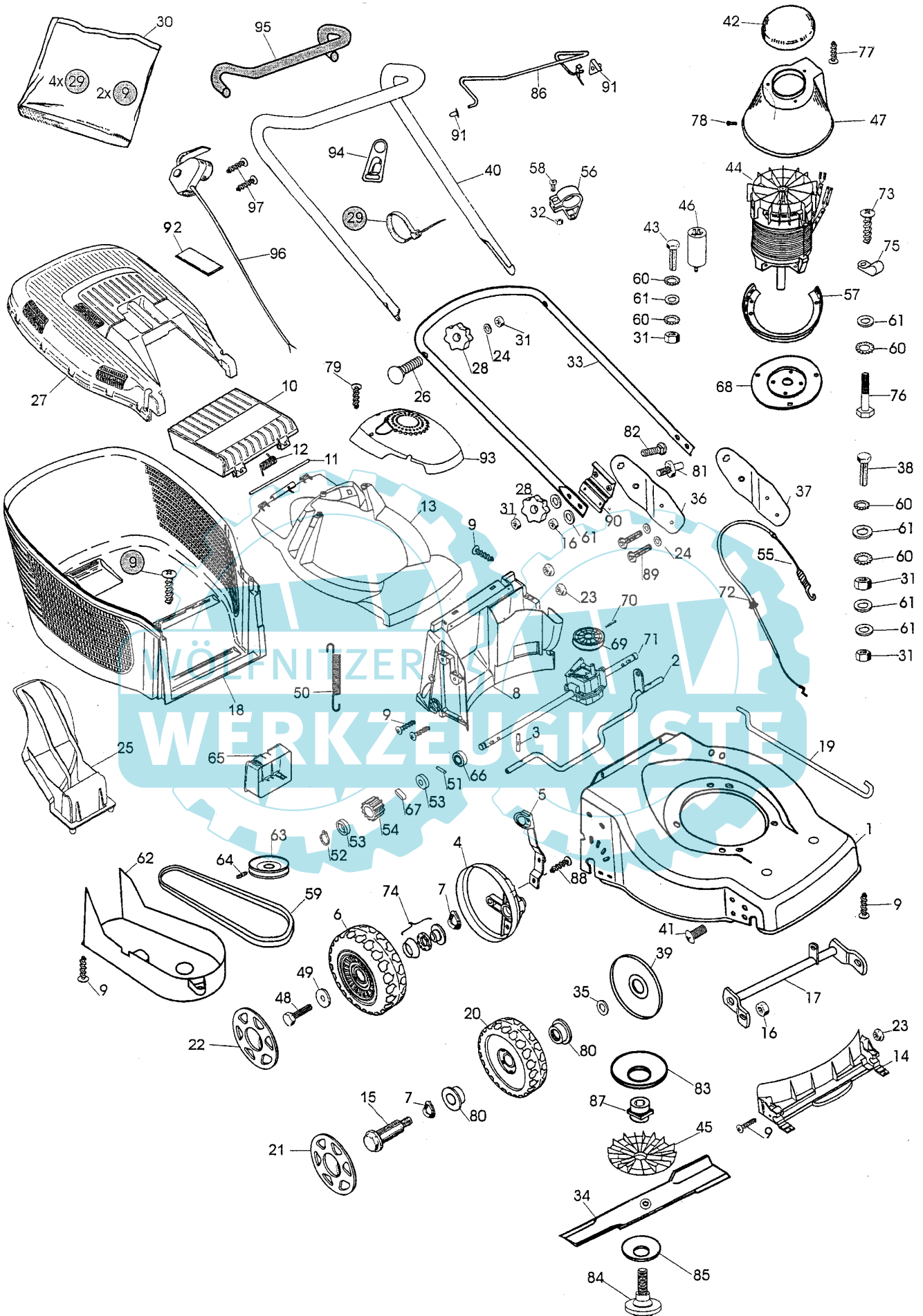


B059

Ausgabe Issue		Bild Nr Picture No		VARIOLUX 45 ECA		VARIOLUX 45 ECA		Seite Page	
2002- 2		B059						26	
Pos. Fig.	Anzahl/Quantity			Artikel Nr. Part No	Bezeichnung	Description	Satz Kit	Anmerkung Notes	
	704 637	704 638							
X	1	1	1	1117-3356-02	Chassie .....	Deck .....			
	2	1	1	1117-1173-01	Hinterachse .....	Shaft- backside .....			
	3	2	2	9595-0212-00	Spannstift .....	Locating pin .....			
	4	2	2	1117-3256-01	Raddeckel .....	Wheel protection cap .....			
	5	1	1	1117-1174-01	Höheneinstellhebe .....	Height adjust lever .....			
	6	2	2	1111-2663-01	Rad .....	Wheel .....			
	7	4	4	9694-0003-00	Scheibe .....	Washer .....			
	8	1	1	1117-3008-01	Leitschiene- hintere .....	Baffle- rear .....			
	9	14	14	9836-9516-12	Schraube .....	Screw .....			
X	10	1	1	1117-1156-11	Klappe- rot .....	Rear flap- red .....			
	11	1	1	1117-1143-01	Achse .....	Shaft .....			
	12	1	1	1117-1126-01	Feder .....	Spring- rear flap .....			
X	13	1	1	1117-3351-02	Motordeckel .....	Motor cover .....			
	14	1	1	1117-3007-01	Leitschiene- vordere .....	Baffle- front .....			
	15	2	2	1111-3164-01	Radbolzen .....	Wheel axle bolt .....			
	16	4	4	9716-0831-02	Mutter .....	Nut .....			
	17	1	1	1117-1334-01	Vorderachse .....	Front shaft .....			
	18	1	1	1117-1218-01	Behälter- Unterteil .....	Lower grass bag .....			
	19	1	1	1117-1130-01	Höheneinstellstange .....	Connection rod .....			
	20	2	2	1111-3163-01	Rad .....	Wheel .....			
	21	2	2	1111-3084-07	Nabenkapsel- grau .....	Hub cap- grey .....			
	22	2	2	1111-3085-07	Nabenkapsel- grau .....	Hub cap- grey .....			
	23	6	6	1117-1131-01	Mutter .....	Nut .....			
	24	6	6	9699-0028-02	Scheibe .....	Flat washer .....			
	25	1	1	1117-3001-01	Mulcherpropfen .....	Mulch plug .....			
	26	2	2	9898-0845-12	Schraube .....	Screw .....			
X	27	1	1	1117-1157-11	Behälterdeckel- rot .....	Grassbag cover- red .....		Inkl. 92	
	28	4	4	1117-3194-01	Verriegelungsrads .....	Locking knob .....			
	29	4	4	9579-0008-00	Kabelhalter .....	Cable holder .....			
	30	1	1	1117-3028-01	Montagesatz .....	Assy kit .....			
	31	8	8	9799-0831-02	Mutter .....	Nut .....			
	32	1	1	9799-0631-02	Mutter .....	Nut .....			
	33	1	1	1117-3141-01	Führungsholm- Unterteil .....	Handle- lower part .....			
X	34	1	1	1111-9724-01	Messer .....	Blade .....			
	35	2	2	9699-0078-02	Scheibe .....	Washer .....			
	36	1	1	1117-1310-01	Halter- rechts .....	Handle support- R.H. ....			
	37	1	1	1117-1309-01	Halter- links .....	Handle support- L.H. ....			
	38	1	1	9997-0840-16	Schraube .....	Screw .....			
	39	2	2	1117-1161-01	Radschutz .....	Wheel protection .....			
	40	1	1	1117-3279-01	Führungsholm- Oberteil .....	Handle- upper part .....		Inkl. 94, 95	
	41	2	2	9865-0816-16	Schraube .....	Screw .....			
X	42	1	1	1117-3082-01	Deckel .....	Cap .....			
	43	2	2	9997-0830-16	Schraube .....	Screw .....			
X	44	1	1	1117-3366-01	El. Motor .....	El. motor .....		Inkl. 46	
	45	1	1	1117-1299-01	Ventilator .....	Impeller .....			
	46	1	1	9400-0224-00	• Kondensator .....	• Capacitor .....			
X	47	1	1	1117-3081-01	Motordeckel .....	Motor cover .....			
	48	2	2	9997-0614-16	Schraube .....	Screw .....			
	49	2	2	1117-1175-01	Scheibe .....	Washer .....			
	50	1	1	1117-1120-01	Feder .....	Spring .....			
	51	2	2	9591-0011-00	Stift .....	Pin .....			
	52	2	2	1117-1083-01	Schließring .....	Safety ring .....			
	53	4	4	1111-2830-01	Stützscheibe .....	Support washer .....			
	54	2	2	1111-3075-01	Zahnrad .....	Gear wheel .....			
	55	1	1	1117-1190-01	Kupplungsdraht .....	Clutch cable .....			
	56	1	1	1117-1114-01	Drahthalter .....	Support .....		Inkl. 72	
X	57	1	1	1117-3079-02	Unterteil- Deckel .....	Lower part- cover .....			
	58	1	1	9865-0616-16	Schraube .....	Screw .....			
	59	1	1	1117-3017-01	Keilriemen .....	V- belt .....			
	60	10	10	9678-0009-02	Schloßscheibe .....	Lock washer .....			
	61	13	13	9699-0062-02	Scheibe .....	Flat washer .....			
	62	1	1	1117-1147-01	Riemenschutz .....	Transmission cap .....			
	63	1	1	1117-3266-01	Riemenscheibe .....	Pulley .....			



B059



Ausgabe Issue 2002- 2		Bild Nr Picture No B059		VARIOLUX 45 ECA		VARIOLUX 45 ECA		Seite Page 28	
Pos. Fig.	Anzahl/Quantity			Artikel Nr. Part No	Bezeichnung	Description	Satz Kit	Anmerkung Notes	
	704 637	704 638							
	64	1	1	9907- 0610- 16	Schraube .....	Screw .....			
	65	1	1	1111- 2927- 01	Batteriehalter .....	Battery holder .....			
	66	2	2	9549- 0053- 00	Kugellager .....	Ball bearing .....			
	67	2	2	1111- 2827- 01	Treibkeil .....	Drive key .....			
X	68	1	1	1117- 3080- 01	Motorflansch .....	Motor flange .....			
	69	1	1	1117- 3018- 01	• Riemenscheibe .....	• Pulley .....			
	70	1	1	1111- 2382- 01	• Stift .....	• Pin .....			
	71	1	1	1117- 3227- 01	Getriebe kpl .....	Transmission assy .....		Inkl. 69, 70	
	72	1	1	1134- 3203- 04	• Kabelhülse .....	• Cable protector .....			
	73	1	1	1117- 1252- 01	Schraube .....	Screw .....			
X	74	4	4	1111- 3296- 01	Kugellager .....	Ball bearing .....			
	75	1	1	1117- 1245- 01	Kabelklemme .....	Cable clamp .....			
	76	4	4	9997- 0820- 16	Schraube .....	Screw .....			
X	77	3	3	1117- 1102- 01	Schraube .....	Screw .....			
X	78	3	3	1117- 3074- 01	Clip .....	Clip .....			
	79	3	3	9836- 9525- 12	Schraube .....	Screw .....			
	80	4	4	9549- 0053- 00	Kugellager .....	Ball bearing .....			
	81	2	2	1117- 1267- 01	Bolzen .....	Bolt .....			
	82	2	2	9898- 0835- 12	Schraube .....	Screw .....			
	83	1	1	1117- 1358- 01	Schutz .....	Motor shaft protectio .....			
	84	1	1	1111- 9715- 01	Messerbolzen .....	Blade bolt .....			
	85	1	1	1117- 1111- 01	Messerscheibe .....	Disc washer .....			
	86	1	1	1117- 3277- 01	Regulierbügel .....	Control lever .....			
	87	1	1	1117- 1151- 01	Messerhalter .....	Blade mount .....			
	88	4	4	9836- 9512- 12	Schraube .....	Screw .....			
	89	4	4	1117- 1364- 01	Schraube .....	Screw .....			
	90	2	2	1117- 1192- 01	Isolierplatte .....	Isolation .....			
	91	2	2	1117- 3278- 01	Isolation .....	Isolation .....			
	92	1	1	1117- 1135- 02	• Deckel- schwarz .....	• Cover- black .....			
X	93	1	1	1117- 3352- 02	Motordeckel .....	Motor cover .....			
	94	1	1	9579- 0009- 00	• Kabelhalter .....	• Cable restrainer .....			
	95	1	1	1117- 3036- 01	• Griff .....	• Foam grip .....			
	96	1	1	1117- 3094- 01	Schalter .....	Switch .....			
X	96		1	1117- 3372- 01	Schalter .....	Switch .....			
	97	2	2	9836- 9225- 12	Schraube .....	Screw .....			